

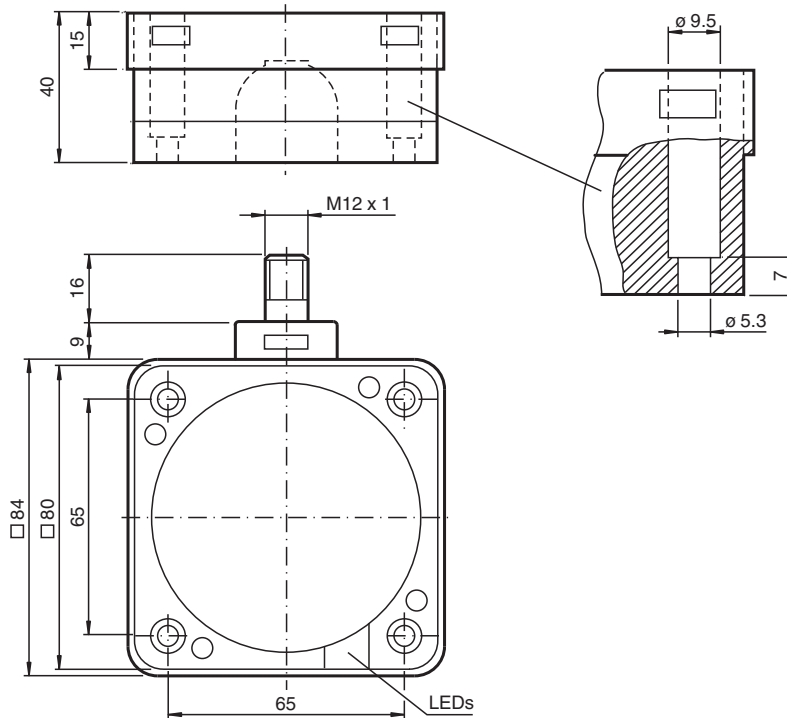
Inductive sensor

NCB50-FP-Z4-V1

- 50 mm flush
- 2-wire DC



Dimensions



Technical Data

General specifications

Switching function		Normally open (NO)
Output type		Two-wire
Rated operating distance	s_n	50 mm
Installation		flush
Output polarity		DC
Assured operating distance	s_a	0 ... 40.5 mm
Reduction factor r_{Al}		0.4
Reduction factor r_{Cu}		0.35
Reduction factor r_{304}		0.8
Output type		2-wire

Nominal ratings

Operating voltage	U_B	10 ... 60 V DC
Switching frequency	f	0 ... 80 Hz
Hysteresis	H	0 ... 20 typ. 5 %
Reverse polarity protection		reverse polarity tolerant

Release date: 2022-06-22 Date of issue: 2022-06-22 Filename: 182470_eng.pdf

Refer to "General Notes Relating to Pepperl+Fuchs Product Information".

Pepperl+Fuchs Group
www.pepperl-fuchs.com

USA: +1 330 486 0001
fa-info@us.pepperl-fuchs.com

Germany: +49 621 776 1111
fa-info@de.pepperl-fuchs.com

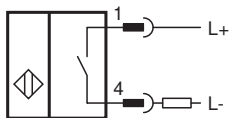
Singapore: +65 6779 9091
fa-info@sg.pepperl-fuchs.com

PEPPERL+FUCHS

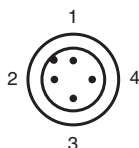
Technical Data

Short-circuit protection		pulsing
Voltage drop	U_d	$\leq 3.8 \text{ V}$
Voltage drop at I_L		
Voltage drop $I_L = 20 \text{ mA}$, switching element on	U_d	2.7 ... 4.9 V
Operating current	I_L	2 ... 200 mA
Lowest operating current	I_m	2 mA
Off-state current	I_r	$\leq 0.6 \text{ mA}$
Time delay before availability	t_v	$\leq 300 \text{ ms}$
Switching state indicator		LED, yellow
Compliance with standards and directives		
Standard conformity		
Standards		EN 60947-5-2:2007 EN 60947-5-2/A1:2012 IEC 60947-5-2:2007 IEC 60947-5-2 AMD 1:2012
Approvals and certificates		
UL approval		cULus Listed, General Purpose
CSA approval		cCSAus Listed, General Purpose
CCC approval		Certified by China Compulsory Certification (CCC)
Ambient conditions		
Ambient temperature		-25 ... 70 °C (-13 ... 158 °F)
Storage temperature		-25 ... 85 °C (-13 ... 185 °F)
Mechanical specifications		
Connection type		Connector plug M12 x 1, 4-pin
Housing material		PBT
Sensing face		PBT
Housing base		PBT
Degree of protection		IP68

Connection



Connection Assignment





Connection Assignment

Wire colors in accordance with EN 60947-5-2

1	BN	(brown)
2	WH	(white)
3	BU	(blue)
4	BK	(black)

Accessories

	V1-G-2M-PUR	Female cordset single-ended M12 straight A-coded, 4-pin, PUR cable grey
	V1-W-2M-PUR	Female cordset single-ended M12 angled A-coded, 4-pin, PUR cable grey

Release date: 2022-06-22 Date of issue: 2022-06-22 Filename: 182470_eng.pdf

Refer to "General Notes Relating to Pepperl+Fuchs Product Information".